



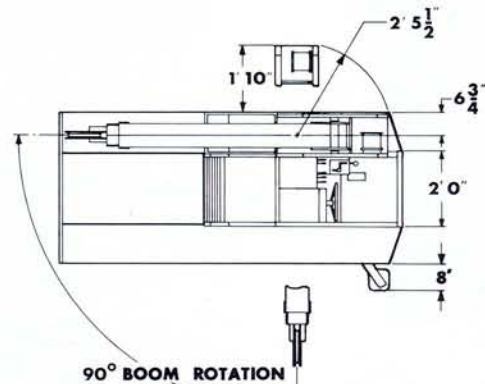
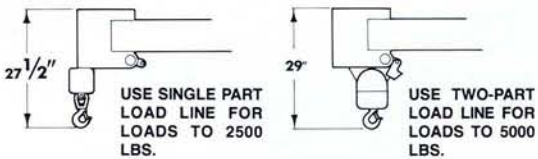
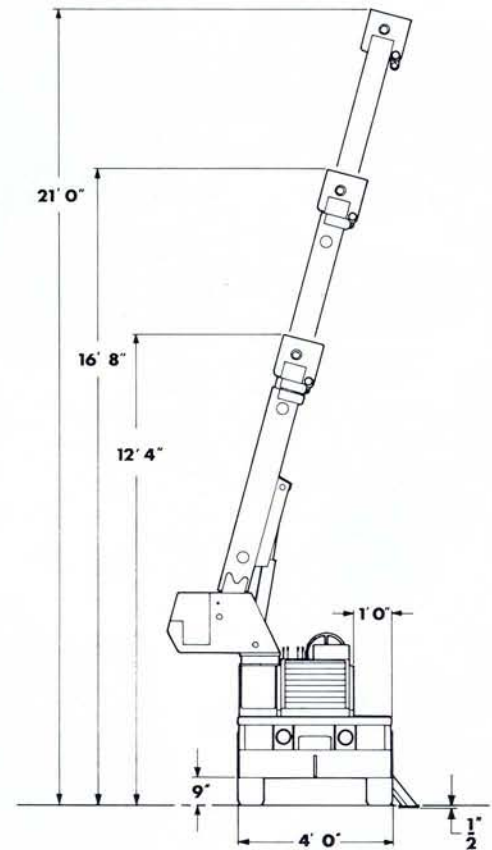
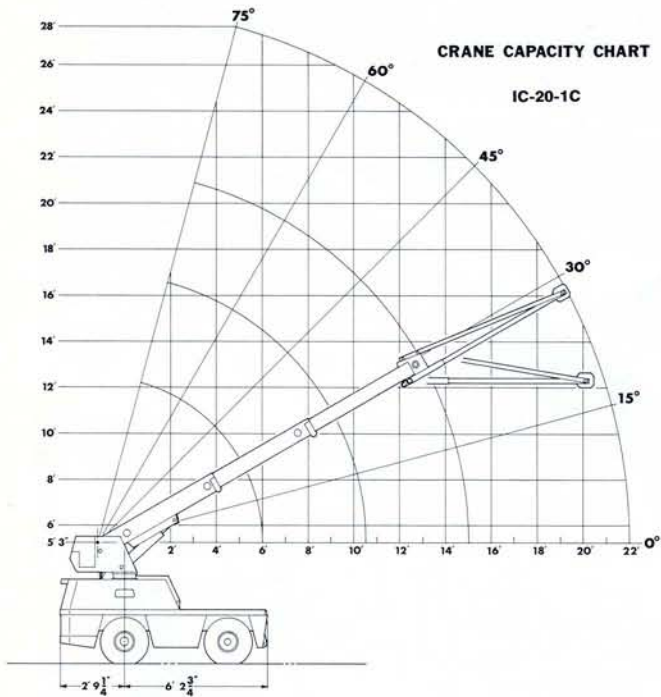
AT A GLANCE:

Built tough to work tough in industrial applications where an operator wants pinpoint control and placement of loads to 2½ tons.

bmc BRODERSON
Manufacturing Corp.

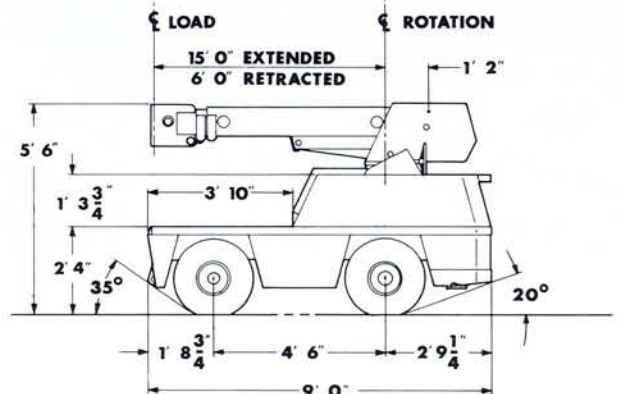
P.O. Box 14770, Lenexa, Kansas 66215
(913) 888-0606 • FAX (913) 541-0690

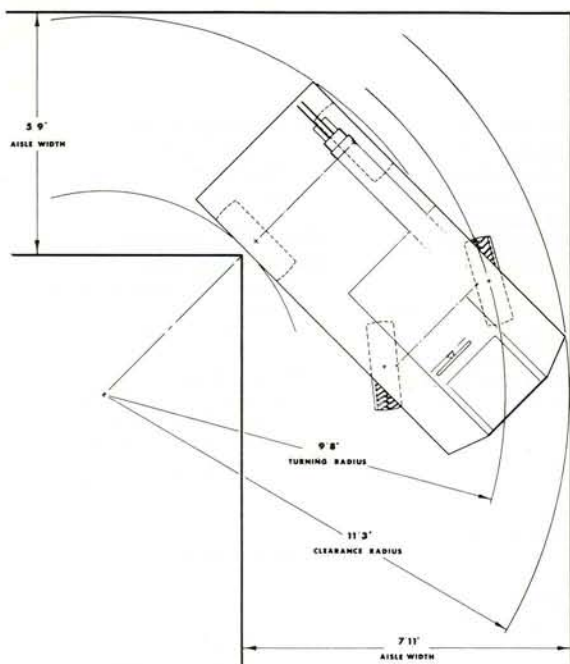
IC-20



LOAD RADIUS FEET	3-SECTION BOOM			7 FT. JIB INSTALLED	
	CENTERED OVER FRONT	FOR 90° SWING		90° SWING (IN LINE OR OFFSET)	
		ON RUBBER	ON OUTRIGGER	ON RUBBER	ON OUTRIGGER
4	5000	5000	5000	1300	1300
5	4000	4000	4000	1100	1100
6	3000	2675	3000	750	750
8	2300	1550	2425	650	650
10	1950	1025	1500	550	550
12	1675	750	1075	500	500
15	1200	500	750	500	500
17				425	500
19				325	500
22				225	350

CAPACITIES ON OUTRIGGER ARE 85% OF TIPPING LOADS. CAPACITIES ON RUBBER ARE 75% OF TIPPING LOADS.
CAPACITIES BELOW **BOLD** LINE ARE LIMITED BY TIPPING. OTHER CAPACITIES ARE LIMITED BY STRUCTURAL OR HYDRAULIC CAPABILITY.





General:

Weight - 5,800 lbs.
Travel Speed - 0 to 5 MPH
Drawbar pull - 2,800 lbs.
Turning Radius (C/L of outside steering wheel) 9'8" Aisle width for 90° turn 7'11"

Engine:

	Std.	Opt.
Make	Ford	Kubota
Model	V564131	V-1902-B
Type	Gas	Diesel
No. Cyl.	4	4
Displacement	79	113.6
HP @ Governed speed	34 HP	40 HP

Electrical:

12 volt system
Lighting group - 1 pair headlights
Instrument group - Fuel, ammeter, oil pressure, water temperature, hydrostatic loop oil temperature, gauges and hourmeter.

Fuel Tank:

13.5 gal. capacity

Hydrostatic pump:

Sundstrand piston type 2.8 CID/Rev direct driven from engine crankshaft.

Axles:

Drive axle — Location-Front
 Contains Fairfield torque hubs and Ross Hydraulic drive motors. Axle oscillates a total of 1½ inches
Steering axle — Location-Rear

Steering:

Full hydraulic orbitrol unit with one double-acting 2½" cylinder attached to rear axle

Tires:

Standard - 7.50X10 Pneumatic. 12-ply front, 16-ply rear.
Optional - Solid rubber "Grizzley Supersoft" SG 36

Brakes:

Foot actuated disc brake built into each torque hub to hold crane chassis when not being driven

Outrigger:

One hydraulic outrigger with box beam construction. Hydraulic cylinder is equipped with direct-connected holding valve

Cargo Deck

20 sq. ft. deck area, 5,000 pounds capacity

Hydraulic System:

Tandem pump mounted to rear of hydrostatic piston pump
 Delivers 5 and 15 GPM at rated R.P.M.
 Hydraulic oil tank capacity - 9.5 gal. capacity

Crane:

Boom Movement

Rotation 90°
 Elevation 0° to 75°
 Extension 6' to 15' (9 ft.)

Boom Speeds

Rotation 90° in 13 sec.
 Elevation 11 seconds
 Extension 28 seconds

Boom Assembly

Three section boom assembly equipped with bearing pads, double-acting hydraulic cylinders equipped with direct connected holding valves and boom angle indicator on left side of boom

Boom Swing

Two double acting hydraulic cylinders connected to turntable torque tube provides 90° rotation. Heavy-duty ball bearing rotation bearing.

Boom Winch

Turret-mounted
 Hydraulic powered
 Bare drum line pull of 3,100 lbs.
 Winch line speed 46 ft. per minute
 80 ft. of 5/16 wire rope, downhaul weight and swivel hook, standard

Ant-two Block Device

Prevents damage to hoist rope and/or machine components

IC-20

Options:

Engine:

LP Gas Fuel System Kit (2).

Contains All Necessary Components for LP Gas Operation.

Dual Fuel System Kit (3).

Contains All Necessary Components to Burn LPG or Gasoline.

Diesel Engine (4).

Kubota Model V-1902-B Diesel Engine.

Spark-Arrester Muffler (5).

Installed in Addition to Standard Muffler.

Engine Shutdown Gauges (6).

Shuts Engine Off When High Water Temperature or Low Engine Oil Pressure Occurs.

Steering:

Steering Knob (7).

Spinner Knob Attaches to Steering Wheel for Easier Maneuvering.

Tires:

Solid Rubber Tires (8).

For Applications Where Hazardous Ground Conditions Exist.

Chassis:

Auxiliary Winch (9).

Mounted Behind Front Bumper, Hydraulically Driven with Control in Operators Console.

Pintle Hook (10).

Holland "T-60-A" Pintle Hook Mounted on Rear Frame. 5 Ton Capacity.

Lifting Sling Kit (11, 12, 13)

Three Leg Hitch, Consisting of Heavy-Duty Pear Link, 3 Wire Ropes with Swaged on Clevis Ends. Two Flush Mounted Lifting Rings on Load Deck Corners and Heavy-Duty Lift Eye Attached to Turret.

Operator Compartment:

Operators Guard (14).

Tubular Steel Weldment with Heavy Expanded Steel Mesh Top Section. Overhead Height with Guard Installed 90".

Electrical:

Tail Light (15).

Tail Light Mounted in Protective Bracket Welded to Left Rear Panel on Chassis.

Lighted Instrument Gauges (16).

Instrument Gauges Equipped with Lights for Night Operations.

Strobe Light (17).

Yellow Strobe Light Mounted to Operator Guard.

Boom Work Lights (18).

One Work Lighted Mounted to Boom to Light Boom Tip and One Work Lighted Mounted to Turret to Light Ground Under Boom Tip.

Back-Up Alarm (19).

Provides Pulsating Sound When Transmission is in Reverse.

Boom Attachments:

Boom Swing Lock (20).

Prevents Boom from Being Swung in Normal 90° Arc. Includes Padlock.

7 Ft. Jib (21).

Consists of Jib with Pair of Tension Bars, Tip Sheave, Cable Keeper, Pins, Jib Attaching Pins. Tension Bars Provide Two Positions: In-Line and 30° offset.

Sheave Block (22).

Required for Maximum Capacity Lifts.

Fiberglass Bucket (23).

24" x 24" x 42" Deep Personnel Bucket with Maximum Capacity of 300 Pounds.

Bucket Brake (24).

Friction Brake for Holding Fiberglass Bucket in a Fixed Position.



BMC BRODERSON
Manufacturing Corp.

P.O. Box 14770, Lenexa, Kansas 66215
(913) 888-0606 • FAX (913) 541-0690