

# BRODERSON'S

# YARDRUNNER

SELF-PROPELLED HYDRAULIC CRANE



Model No. IC-80-1A

**BMC** BRODERSON  
MANUFACTURING

P.O. BOX 14770 LENEXA, KANSAS 66215 (913) 888-0606

# YARDRUNNER

IN-PLANT MOBILITY WITH SAFE FULL C

The YARDRUNNER is a low-profile, self-propelled hydraulic crane with the maneuverability and mobility for in-plant operations and the strength and stability for construction jobs.

- 16,000 lbs. maximum capacity
- 360° continuous rotation
- 12,000 lbs. cargo deck capacity
- 10,700 lbs. max. pick & carry cap.
- 28 ft. maximum sheave height
- 6 ft. 6 in. wide
- 7 ft. 2 in. overall height
- One-step operator access
- Oscillating rear axle
- Front wheel drive – rear steer
- Short turning radius
- Torque convertor drive

## CHASSIS

- Rugged, one-piece welded chassis frame
- Heavy-duty engine with torque convertor power shift forward-reverse
- Four hydraulic outriggers, box-beam construction
- Vandalism protection provided by keyed locks on fuel and hydraulic oil reservoir caps and engine compartment cover
- Heavy-duty pulling eye on front bumper
- Rugged cargo decks provide 12,000 lbs. carry capacity
- Operator's station provides one-position access to all controls
- All operating and roading lights are standard equipment
- Front wheel drive/Rear wheel steer

## BOOM

- Fully hydraulic boom powers all crane functions
- Boom elevation cylinder raises all capacity loads from horizontal to 70°
- Boom is extended by double acting hydraulic cylinders
- Turret-mounted winch is powered by a spur gear reduction drive

## SAFETY FEATURES

- Direct-mounted safety holding valves on all boom and outrigger cylinders
- Direct lever-connected full-feathering valves
- Full lighting system
- Capacity rating throughout 360° rotation
- Heavy-duty direct gear rotation drive
- One-step access
- Anti-skid surface on cargo decks
- Boom angle indicators
- Four-wheel hydraulic brakes
- Vandalism protection
- Enclosed hydraulic cylinders

## OPTIONS

- 10.00 x 15 tires
- Solid rubber tires
- All weather cab
- Operator guard
- 10 ft. boom extension
- Fiberglass work bucket
- Work platform
- Pintle hook
- Auxiliary winch
- Anti-two block device
- Back-up alarm
- Diesel engine
- No-spin differential
- Overload alert system
- LPG fuel system

**CRANE CAPACITY THROUGHOUT 360° ROTATION.**

**BMC BRODERSON  
MANUFACTURING**  
P.O. BOX 14770 LENEXA, KANSAS 66215 (913) 888-0606



Maximum capacity 16,000 lbs. anywhere within 360° continuous rotation.



Pick & carry up to 10,700 lbs. Sixty sq. ft. of cargo deck space provides 12,000 lbs. capacity.



7 ft. 2 in. low overall height (Tire option lowers overall height to under 7 ft.)



Self-storing boom extension provides 10 ft. of additional length.



A two-man work platform is available as an option.



Optional cab provides additional operator safety and comfort.



Heavy-duty pulling eye on front bumper.



Oscillating rear axle, no-spin differential and lifting capacity insure productivity on construction jobs.

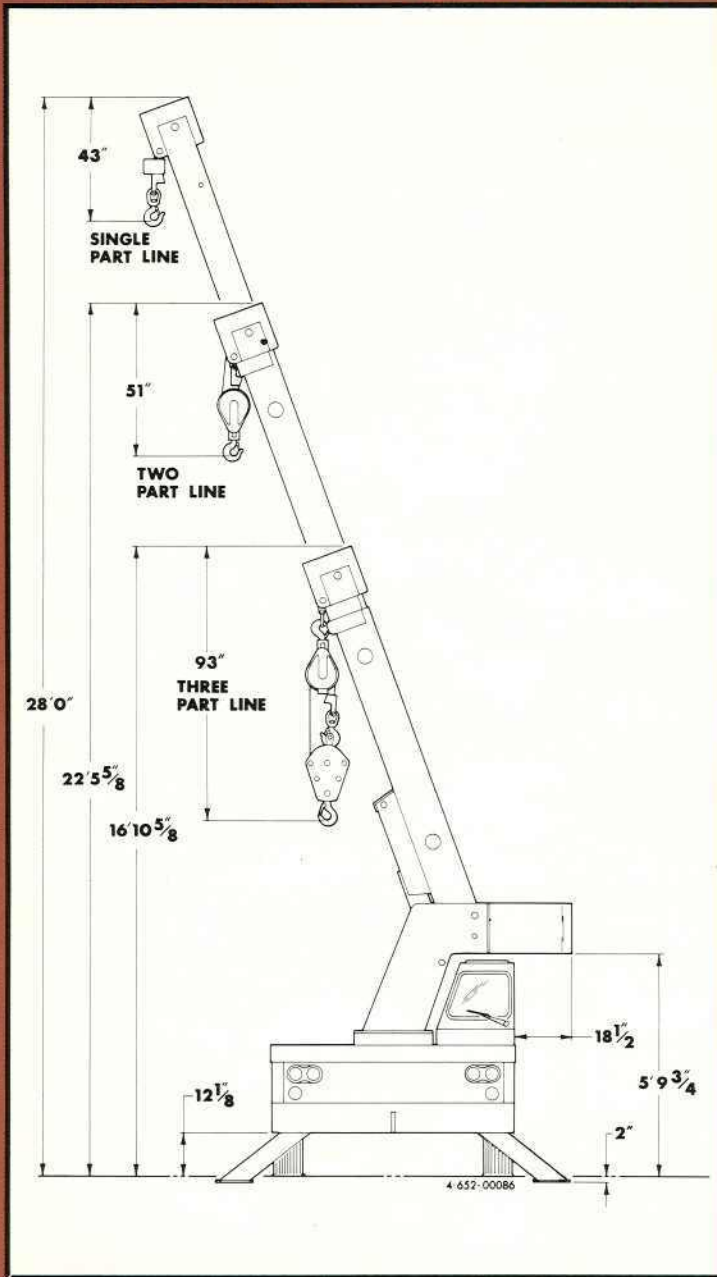


An optional auxiliary winch may be mounted behind the front bumper.

## **CHECK THE YARDRUNNER'S SUPERIOR FEATURES:**

- 16,000 lbs. maximum capacity
- 360° continuous rotation
- 12,000 lbs. cargo deck capacity
- 10,700 lbs. max. pick & carry capacity
- 60 sq. ft. of cargo deck space
- 37 ft. sheave ht. with 10 ft. boom extension
- Full hydraulic outriggers
- 6 ft. 6 in. wide, 7 ft. 2 in. high
- 70° boom elevation
- Oscillating rear axle
- Direct-driven tandem pump
- Adjustable pinion gear drives rotation gear

# VERTICAL REACH DIMENSIONS

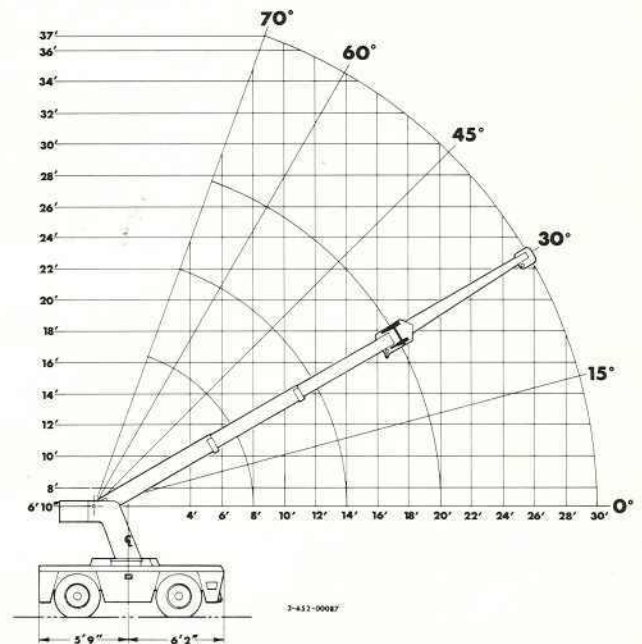


# CRANE CAPACITY CHART

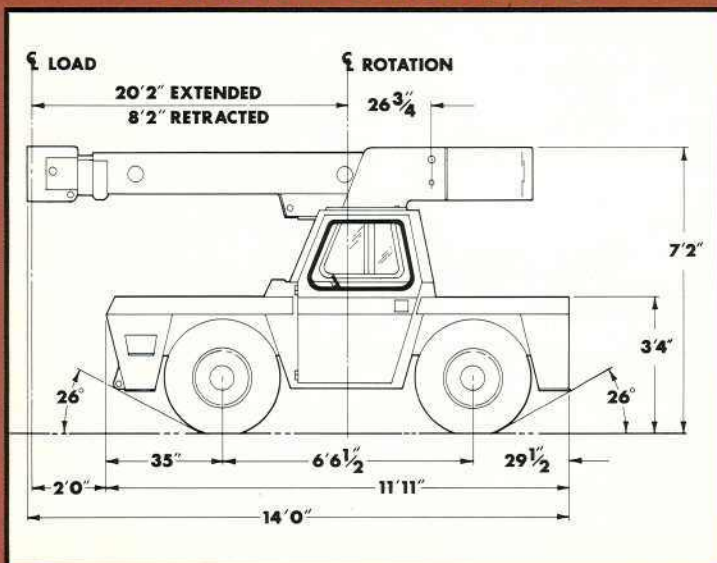
ALL CAPACITIES FOR 360° ROTATION

LOAD RADIUS FEET	3-SECTION BOOM		10' BOOM EXTENSION INSTALLED	
	ON RUBBER	ON OUTRIGGERS	ON RUBBER	ON OUTRIGGERS
5	10700	16000	6700	7000
6	9500	14500	3950	6000
8	6400	10250	4750	5000
10	4450	7700	3900	4000
12	3400	6550	3325	3450
14	2675	5550	2975	3050
16	2175	4450	2600	2700
18	1840	3950	2125	2250
20	1550	3550	1800	2250
22			1500	2250
24			1300	2250
26			1100	2250
28			950	2125
30			800	1900

CARRY CAPACITY SPEED LIMIT 3 MPH  
 DECK LOAD CAPACITY 12000 LBS. (CENTERED OVER AXLE)  
 PERSONNEL BUCKET CAPACITY - OUTRIGGERS EXTENDED 300 LBS. PER BUCKET 600 LBS. TOTAL. THE BOOMS ON THIS UNIT ARE ALL STEEL AND HAVE NO LINE VOLTAGE RATING. MAXIMUM HYDRAULIC PRESSURE 3000 PSI.  
 DEDUCT 120 LBS. FROM ALL "ON RUBBER" CAPACITIES WHEN BOOM EXTENSION IS STOWED ON BASE BOOM.  
 ALL CAPACITIES APPLY TO OPERATION ON FIRM LEVEL SURFACES.



# PRINCIPAL DIMENSIONS



**DMC BRODERSON MANUFACTURING**  
 P.O. BOX 14770 LENEXA, KANSAS 66215 (913) 888-0606