

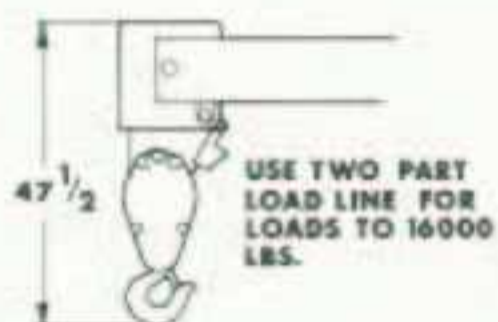
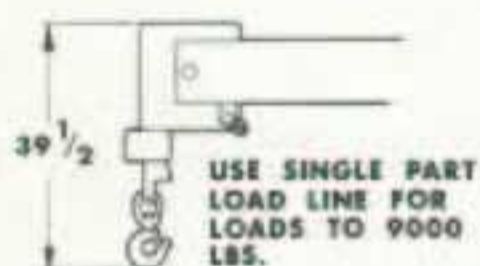
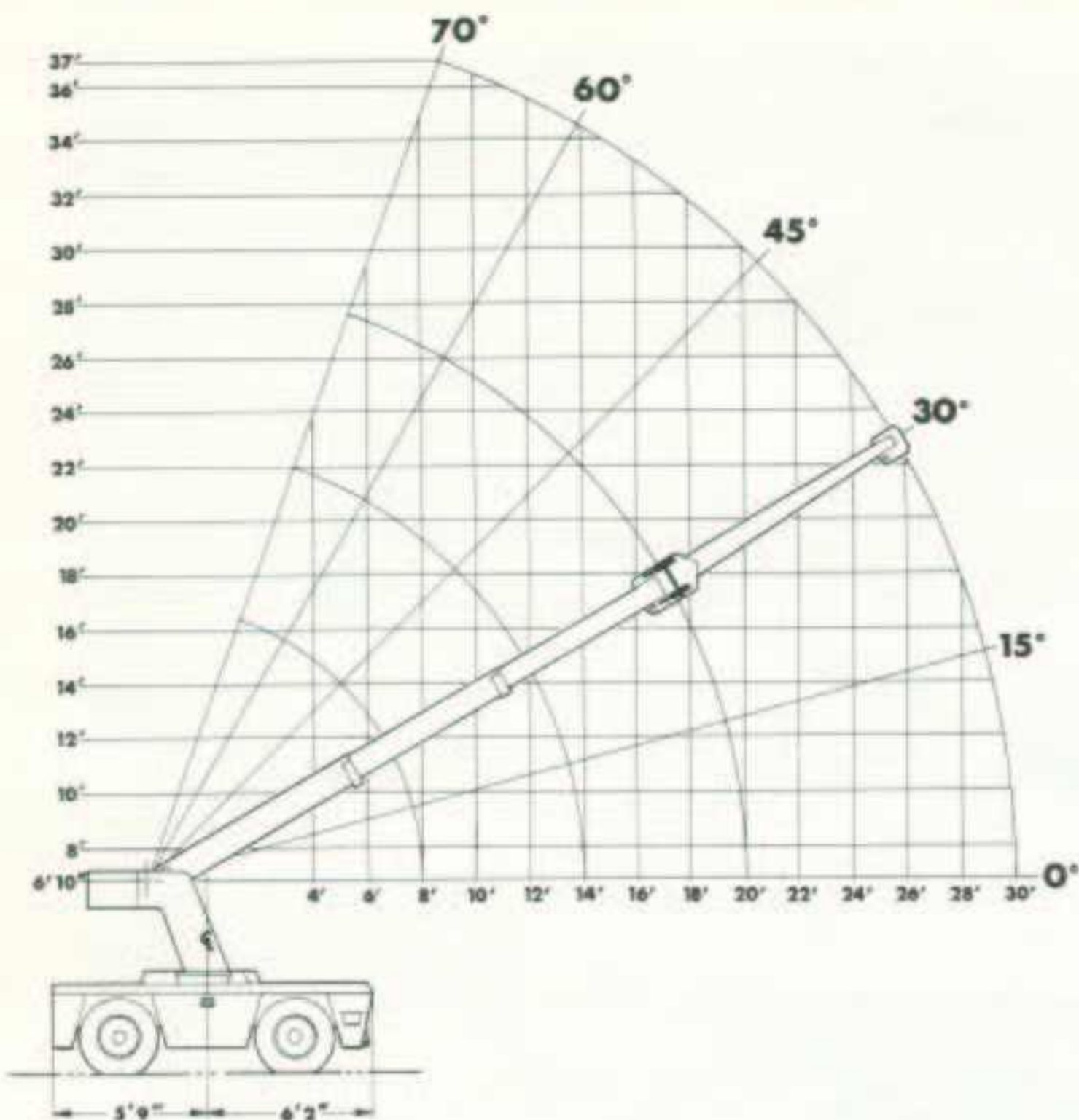


### AT A GLANCE:

- Rated Capacity — 16,000
- Vertical Reach — 28'0"
- Horizontal Reach — 20'2"
- Continuous rotation • 14'9" turning radius • Large Carry Deck • Hyd. outriggers •
- Built tough to work tough in industrial applications where a sure touch is needed on loads up to 8½ tons.

**DMC BRODERSON**  
Manufacturing Corp.  
P.O. Box 14770, Lenexa, Kansas 66215 • (913) 888-0606

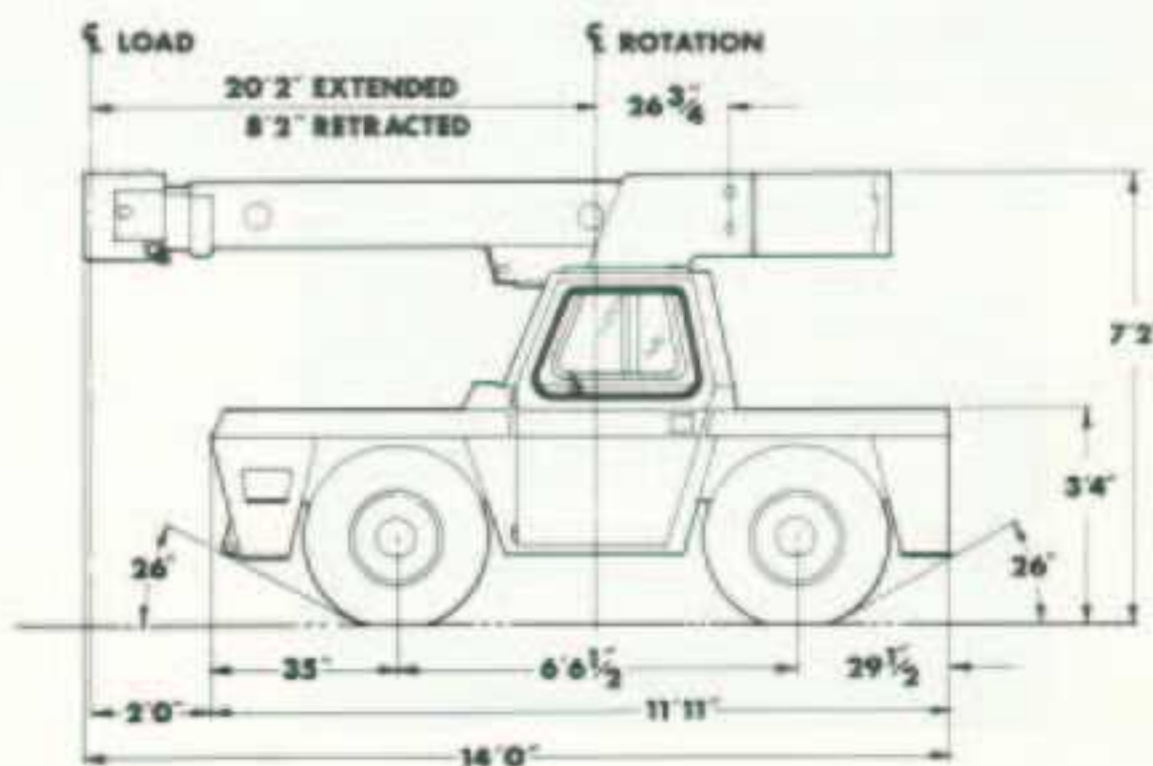
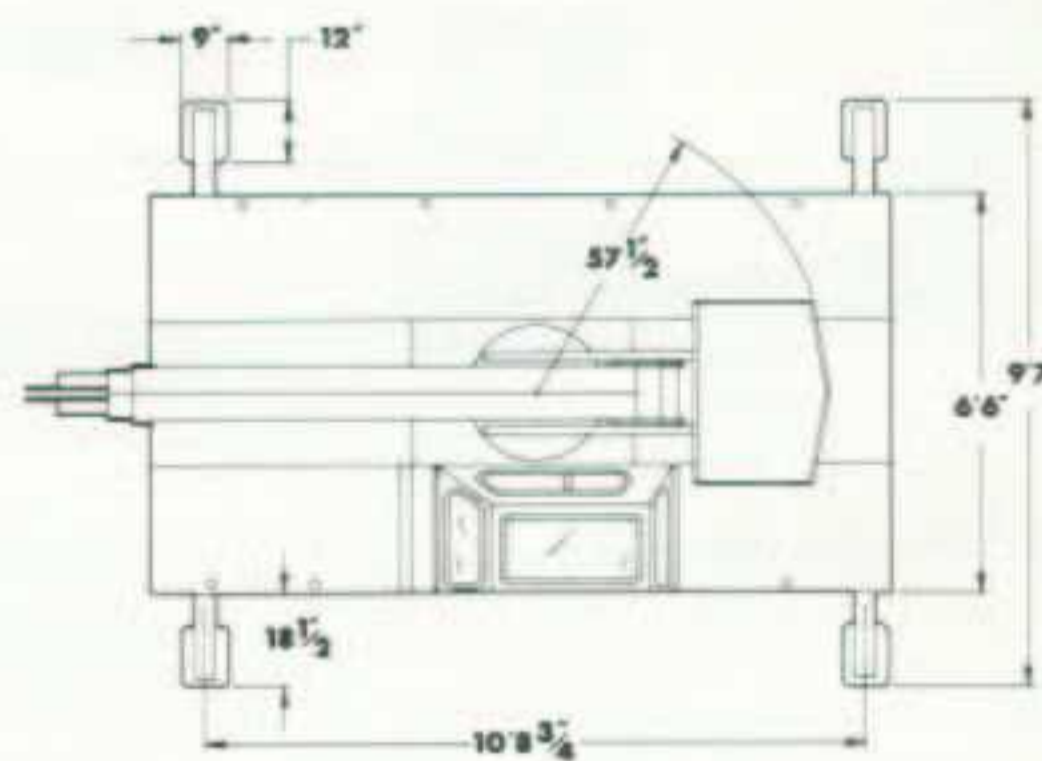
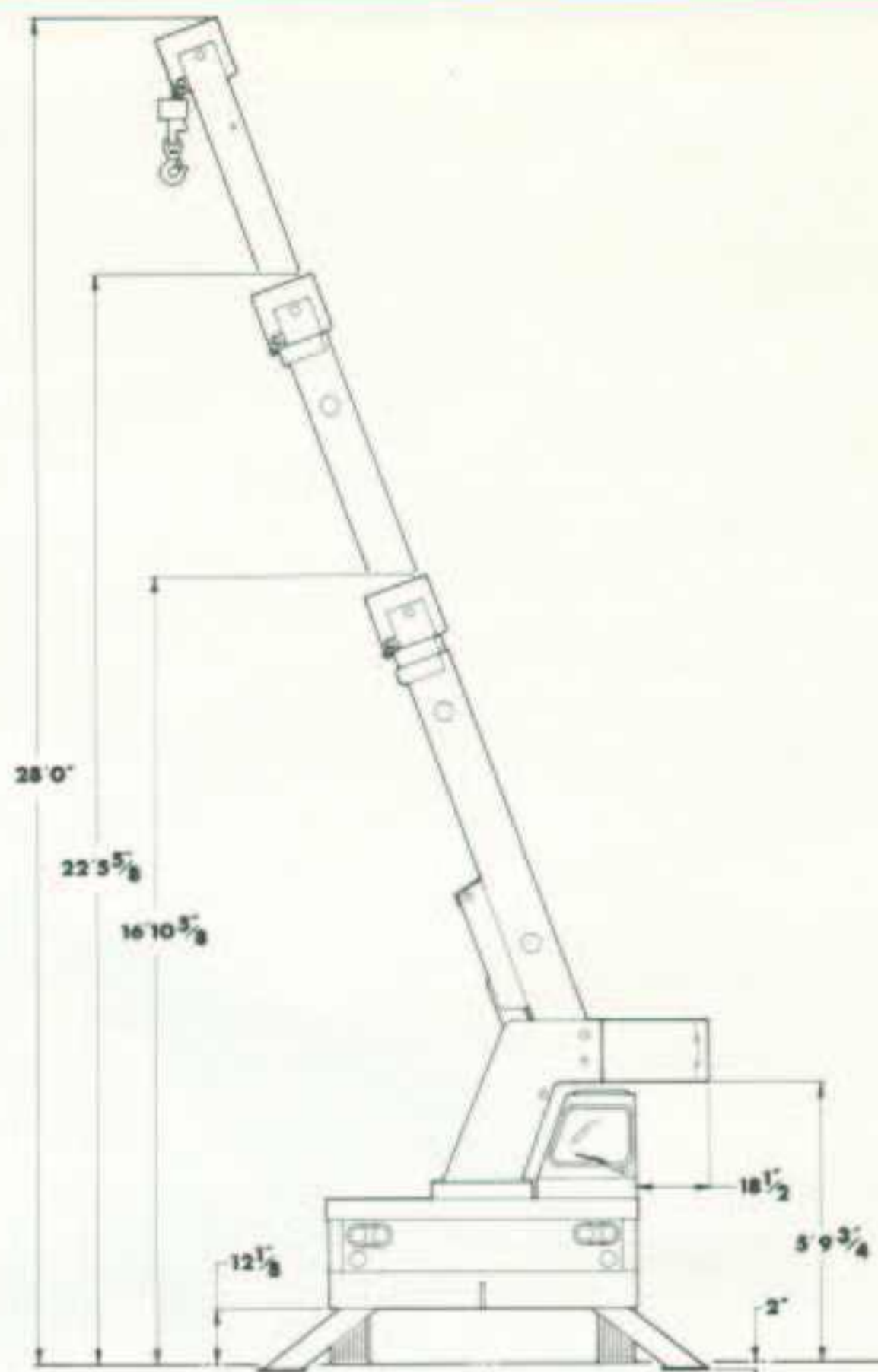
# IC-80



ALL CAPACITIES FOR 360° ROTATION

| LOAD RADIUS FEET | 3-SECTION BOOM |         | 10' BOOM EXTENSION INSTALLED |         |
|------------------|----------------|---------|------------------------------|---------|
|                  | ON RUBBER      | ON O/R* | ON RUBBER                    | ON O/R* |
| 5                | 10700          | 16000   | 6700                         | 7000    |
| 6                | 9500           | 14500   | 5950                         | 6000    |
| 8                | 6400           | 10250   | 4750                         | 5000    |
| 10               | 4450           | 7700    | 3900                         | 4000    |
| 12               | 3400           | 6550    | 3325                         | 3450    |
| 14               | 2675           | 5550    | 2975                         | 3050    |
| 16               | 2175           | 4450    | 2600                         | 2700    |
| 18               | 1840           | 3950    | 2125                         | 2250    |
| 20               | 1550           | 3550    | 1800                         | 2250    |
| 22               |                |         | 1500                         | 2250    |
| 24               |                |         | 1300                         | 2250    |
| 26               |                |         | 1100                         | 2250    |
| 28               |                |         | 950                          | 2125    |
| 30               |                |         | 800                          | 1900    |

\*OUTRIGGERS



**General:**

**Weight** 13,700 lbs

**Travel Speeds (calculated):**

| Gear   | Forward | Reverse |
|--------|---------|---------|
| First  | 5.4     | 4.9     |
| Second | 11      | 10      |
| Third  | 20      | 18.2    |

**Drawbar Pull:**

| Gear   | Pounds |
|--------|--------|
| First  | 6,714* |
| Second | 3,130  |
| Third  | 1745   |

**Turning radius**

(C/L of outside steering wheel) 14'9"

Aisle width for 90° turn 10'3"

\* Wheels will spin on dry concrete at 3,800 lbs.

**Engine:**

|                            | Standard    | Optional | Optional    |
|----------------------------|-------------|----------|-------------|
| <b>Make</b>                | Continental | Perkins  | Continental |
| <b>Model</b>               | TM27        | D4.203   | TMD27       |
| <b>Type</b>                | Gas         | Diesel   | Diesel      |
| <b>Number of cylinders</b> | 4           | 4        | 4           |
| <b>Displacement</b>        | 165         | 203      | 165         |
| <b>HP at governed RPM</b>  | 64          | 63       | 58          |

**Electrical:**

12 volt system

**Lighting group:**

One pair headlights with Hi and Low beams, integral tail, brake and turn signals and front turn signals

**Instrument group:**

Fuel, ammeter, oil pressure, water temperature, convertor oil temperature gauges and hourmeter

**Transmission:**

**Make** Borg Warner

**Model** 72T/T18

**Type** Reversing gear box and manual shift three speed gear box. Equipped with torque converter and transmission oil cooler.

| Gear Ratio | Gear   | Forward | Reverse |
|------------|--------|---------|---------|
|            | First  | 6.324:1 | 6.956:1 |
|            | Second | 3.092:1 | 3.401:1 |
|            | Third  | 1.686:1 | 1.855:1 |

**Torque Converter:** Stall ratio of 2.15:1

**Axles:**

**Drive Axle:**

|                   |          |
|-------------------|----------|
| <b>Make</b>       | Rockwell |
| <b>Gear ratio</b> | 7.2:1    |
| <b>Location</b>   | Front    |

**Steering Axle (non-driving)**

|                 |          |
|-----------------|----------|
| <b>Make</b>     | Rockwell |
| <b>Location</b> | Rear     |

**Brakes:**

**Service** 4-Wheel drum type brakes

**Parking** Band type mounted on transmission

**Tires:**

**Standard** 9.00 x 15, 12-ply rating, Highway tread

**Optional** 10.00 x 15, 12-ply rating, Highway tread

**Optional** Grizzley Supersoft XS250x15 solid rubber

**Fuel Tank:**

20 gallon capacity

**Outriggers:**

Four hydraulic outriggers of box beam construction with direct connected holding valves.

Independent controls for left and right hand outriggers

Outrigger pad dimension 9" x 12"

**Cargo Deck:**

60 square feet

12,000 lbs. maximum capacity

Steps located on front corners

**Hydraulic System:**

Tandem pump, direct-driven by engine crankshaft, rated at 16 and 32.5 gpm at rated rpm

Hydraulic oil tank capacity of 17 gallons

**Steering:**

Full hydraulic orbitrol unit with two double acting

2 inch cylinders attached to rear axle

**Crane:**

**Boom Movement:**

Rotation Continuous

Elevation 0° to 70°

Extension 8'2" to 20'2" (12')

**Boom Speeds:**

Rotation 1.7 rpm

Elevation 15 seconds

Extension 28 seconds

**Boom Assembly:**

Three section boom assembly equipped with bearing pad, double-acting hydraulic cylinders equipped with direct-connected holding valves and boom angle indicator on each side of boom.

**Boom Rotation:**

Heavy-duty ball rotation gear with external teeth support boom. Rotation is powered by hydraulic motor and worm gear drive.

**Boom Winch:**

Turret-mounted

Hydraulic powered

Bare drum line pull of 10,000 lbs.

Winch line speed of 110 fpm

90 feet of 5/16" wire rope, downhaul weight and swivel hook, standard

# IC-80

## Options:

### Anti-Two Blocking Device

Prevents damage to hoist rope and/or crane components from pulling load hook against boom tip.

### 10 foot Boom Extension

Boom stowable. Fiberglass bucket(s) or work platform can be attached to boom extension tip.

### Fiberglass Bucket(s)

24" x 24" x 42" deep personnel bucket with maximum capacity of 300 pounds.

### Work Platform

69" x 32 $\frac{1}{2}$ " x 42" deep, constructed of steel tubing with expanded metal floor. Maximum capacity of 600 pounds.

### Bucket/Platform Brake

Friction brake for holding bucket(s) or Work Platform in a fixed position.

### Overload Alert System

Designed to prevent excessive overloads on crane structures

### Back-Up Alarm

Provides pulsating sound when transmission is in reverse

### Auxiliary Winch

Mounted behind front bumper, hydraulically driven with control in operators console.

### Defroster

Variable speed electric fan inside operator's cab

### LP Gas Fuel System Kit

Contains all necessary components for LPG operation

### No-Spin Differential

Differential equipped with "no-spin" feature

### Operators Guard

Tubular steel weldment with heavy expanded steel mesh top section

### Pintle Hook

Holland "T-60-A" pintle hook mounted on rear frame. 5 ton capacity

### Sheave Block

Required for maximum capacity lifts

### All Weather Cab

Rigid-mounted canopy section and removable hinged door. Includes heater 12 volt electric windshield wiper two sliding windows, one in the door and one in the right-hand side.



**BMC BRODERSON**  
Manufacturing Corp.

P.O. Box 14770, Lenexa, Kansas 66215 • (913) 888-0606