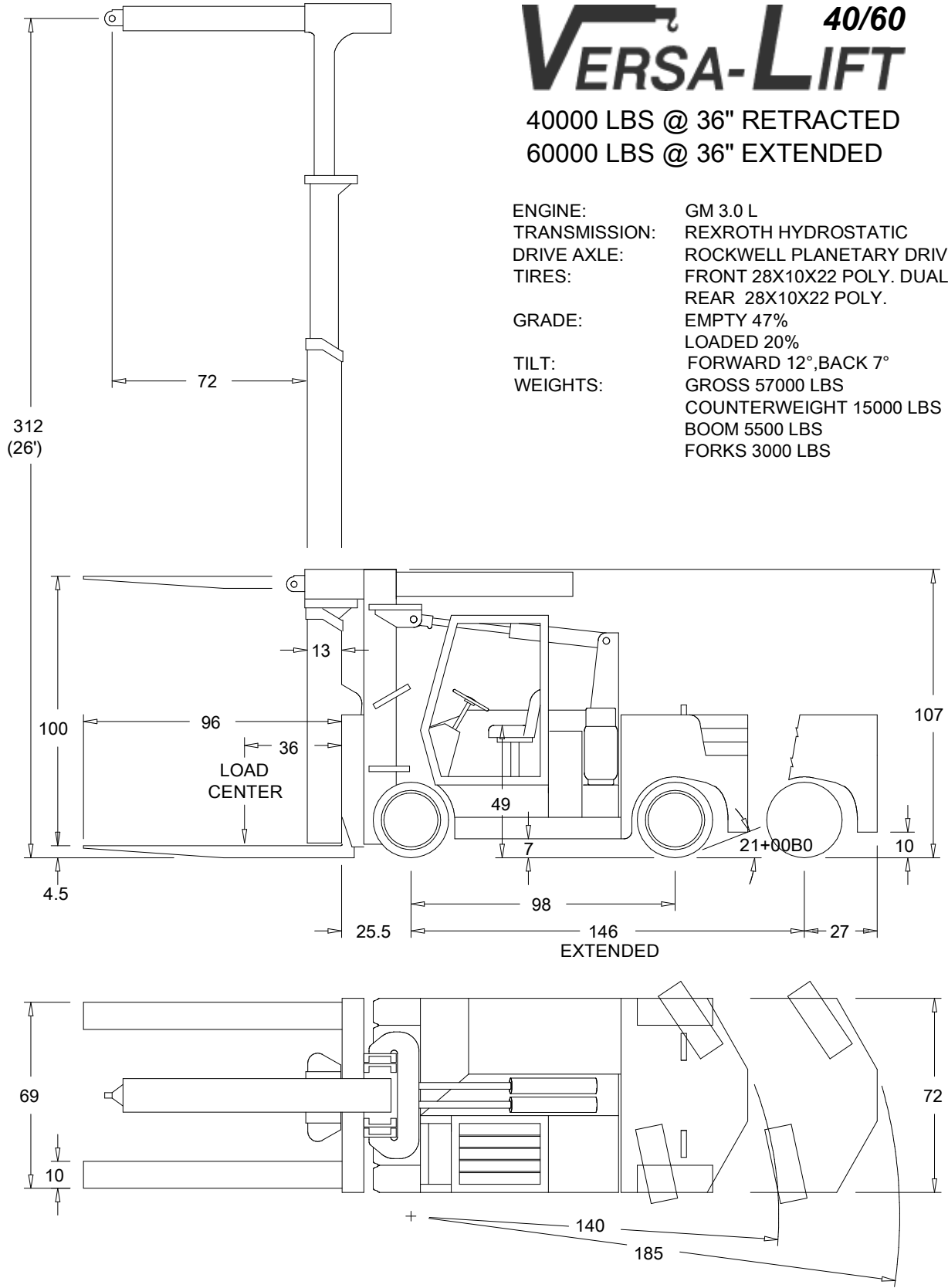


VERSA-LIFT 40/60

40000 LBS @ 36" RETRACTED
60000 LBS @ 36" EXTENDED

ENGINE:	GM 3.0 L
TRANSMISSION:	REXROTH HYDROSTATIC
DRIVE AXLE:	ROCKWELL PLANETARY DRIVE
TIRES:	FRONT 28X10X22 POLY. DUAL REAR 28X10X22 POLY.
GRADE:	EMPTY 47% LOADED 20%
TILT:	FORWARD 12°, BACK 7°
WEIGHTS:	GROSS 57000 LBS COUNTERWEIGHT 15000 LBS BOOM 5500 LBS FORKS 3000 LBS



45 Shepherd Road, Oakville, Ontario, Canada L6K 2G6
T: 905 844 4164 F: 905 844 2135 www.highreachinc.com

Versa-Lift fork lift trucks are manufactured by
Custom Mobile Equipment Inc.
Baldwin City, KS



High Reach Inc.

45 Shepherd Road, Oakville, Ontario L6K 2G6 CANADA T: (905) 844-4164 F: (905) 844-2135 www.highreachinc.com

May 2010

Versa-Lift 40/60 Load Capacities With Sideshift & Full Counterweights

Load Centre Inches	Counterweight Extension with Forks in Inches				
	0	12	24	36	48
36	36,200	42,500	46,900	51,200	55,600
48	32,300	36,000	39,700	43,300	47,000
60	28,000	31,200	34,400	37,600	40,700
72	24,700	27,500	30,300	33,100	36,000
84	22,100	24,600	27,100	29,700	32,200

Load Centre Inches	Counterweight Extension with Boom Only in Inches				
	0	12	24	36	48
24	36,400	40,700	45,000	49,200	53,500
48	26,800	30,000	33,100	36,200	39,400
72	21,200	23,700	26,200	28,700	31,200
96	17,600	19,600	21,700	23,700	25,800
108	16,200	18,100	19,900	21,800	23,700
120	16,000	16,000	16,000	16,000	16,000