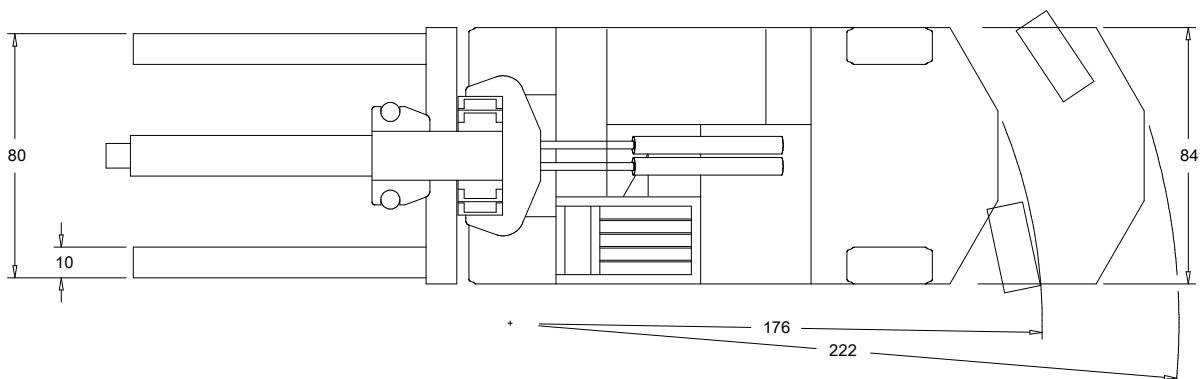
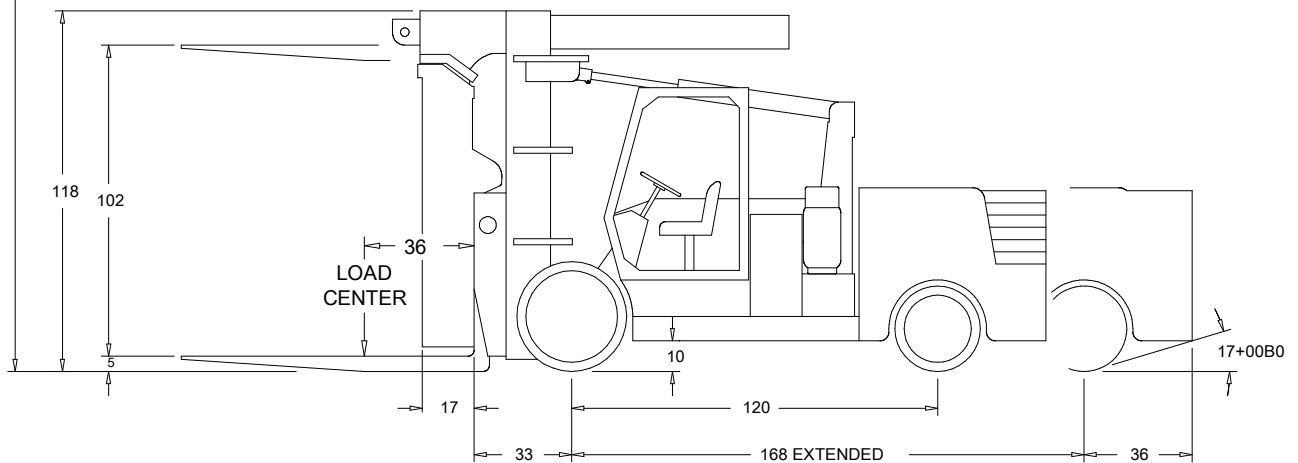
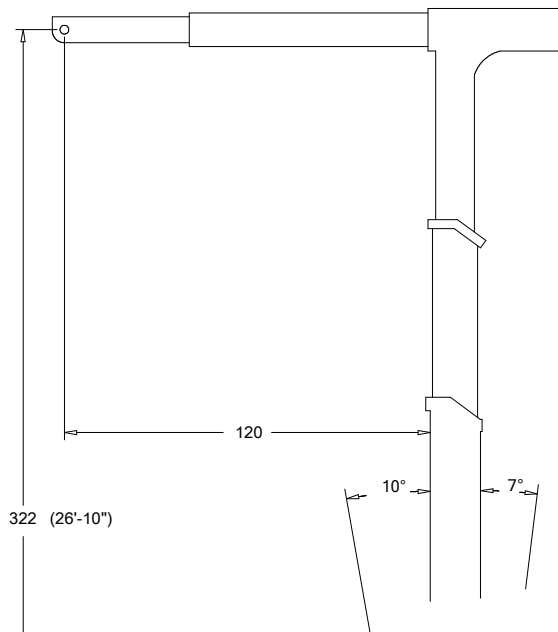


60/80 VERSA-LIFT

60000 LBS @ 36" RETRACTED
 80000 LBS @ 36" EXTENDED
 100000 LBS @ 22" EXTENDED

ENGINE:	GM 4.3
TRANSMISSION:	SAUER HYDROSTATIC
DRIVE AXLE:	PLANETARY WHEEL ENDS
TIRES:	FRONT 36X22 POLY REAR 28X12 POLY
GRADE:	EMPTY 44% LOADED 19%
TILT:	FORWARD 10°, BACK 7°
WEIGHTS:	GROSS 78000 LBS COUNTERWEIGHT 30000 LBS BOOM 7500 LBS FORKS 4000 LBS



 **High Reach Inc.**
 45 Shepherd Road, Oakville, Ontario, Canada L6K 2G6
 T: 905 844 4164 F: 905 844 2135 www.highreachinc.com

Versa-Lift fork lift trucks are manufactured by
Custom Mobile Equipment Inc.
 Baldwin City, KS



High Reach Inc.

45 Shepherd Road, Oakville, Ontario L6K 2G6 CANADA T: (905) 844-4164 F: (905) 844-2135 www.highreachinc.com

May 2010

Versa-Lift 60/80 Load Capacities With Sideshift & Full Counterweights

Load Centre Inches	Counterweight Extension with Forks in Inches				
	0	12	24	36	48
24	60,600	67,200	73,900	80,500	87,100
36	50,600	56,100	61,700	37,200	72,800
48	43,400	48,200	52,900	57,700	62,500
60	38,000	42,200	46,400	50,500	54,700
72	33,800	37,600	41,300	45,500	48,700
84	30,500	33,800	37,200	40,500	43,800

Load Centre Inches	Counterweight Extension with Boom Only in Inches				
	0	12	24	36	48
6	58,600	65,400	72,100	78,900	85,600
24	45,100	50,300	55,400	60,600	65,800
36	39,000	43,500	48,000	52,500	57,000
48	34,400	38,400	42,400	46,300	50,300
60	30,800	34,300	37,900	41,400	45,000
72	27,900	31,100	34,300	37,500	40,700
84	25,400	28,400	31,300	34,200	37,100
96	23,400	26,100	28,800	31,500	34,200
108	21,700	24,200	26,200	29,100	31,600
120	20,200	22,500	24,800	27,100	29,400